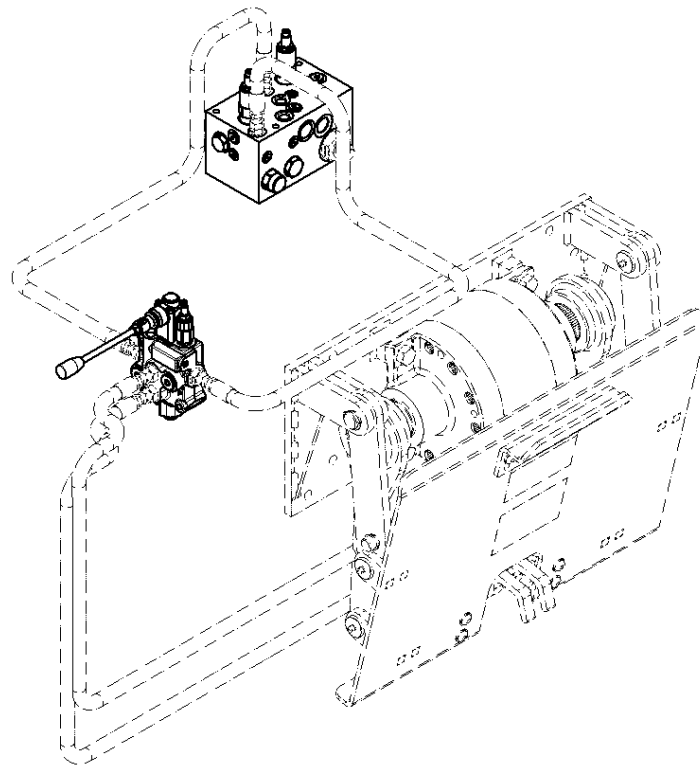




ROTAC[®]

TIPPERS

FROM MICROMATIC LLC



HYDRAULIC TAP-IN KIT FOR ROTAC WASTE TIPPERS

Installation, Service, and Use Manual

WARNING

Safety decals must be replaced anytime they are damaged, missing, or cannot be read clearly. If you require safety decals, contact Micromatic LLC at (260) 589-2136 for no-charge replacement safety decals.

WARNING

All hydraulic pressure must be relieved from the hydraulic system prior to removing any components from the system. Failure to comply can result in serious injury or death. If you have any questions concerning relieving the hydraulic pressure from the system, contact Micromatic LLC at (260) 589-2136.

WARNING

Never operate the hydraulic system if a leak is present. Serious injury may result. NEVER inspect for hydraulic leaks with bare hands or other exposed body parts. At a minimum, wear leather gloves prior to inspecting for leaks and use cardboard or wood. If leaks are present, relieve pressure and allow system to cool prior to servicing.

WARNING

While the engine is OFF, the hydraulic actuator in the tipper could be holding the tipper at a raised position. If a hydraulic line is removed or pressure is released, gravity may allow the tipper to drop to its rest position and may cause injury. All workers and personnel must remain clear of these areas when working on or operating the tipper.

WARNING

Hydraulic systems are hot. **DO NOT TOUCH!** Serious personal injury or death may result from hot oil. When you have completed working on the hydraulic systems, thoroughly clean any spilled oil from the equipment. Do not spill any hydraulic fluid on the ground. Clean any hydraulic fluid from your skin as soon as you have completed maintenance/repairs.

WARNING

Follow ALL lockout procedure as defined in this manual, as well as all lockout procedures defined by OSHA or other regulatory bodies, including your employer and truck manufacturer.

SAFETY

CAUTION:

- Do not cover the brake/safety/indicator lights on the vehicle with the mounting plate, the tipper unit itself, or any other related hardware.
- Safe working procedures must be followed at all times. Always wear correct safety gear.
- Follow OSHA Lockout/Tagout procedures during all installation, repair, or maintenance.
- Ensure all persons are clear of waste cart tipper before and during operation.
- Never operate a damaged waste cart tipper.
- Never reach into a waste container or place hands or arms in harm's way during operation.
- Never lift damaged carts with missing or broken parts.
- Never loosen any hydraulic fittings or hoses unless the system is off and depressurized.
- Never weld on truck unless a ground is in place, the battery is disconnected, and no flammable objects are present.

INSTALLATION PREPARATION

- 1.) Please read this manual completely and familiarize yourself with all of the necessary procedures. Contact Micromatic LLC at (260) 589-2136, ext. 3211 if there is a question.
- 2.) Reference 26-18-1000 for the waste tipper user manual and installation instructions.
- 3.) Clean areas on waste truck where planning to assemble hydraulic tap-in kit components.

ONE YEAR LIMITED WARRANTY

- Seller warrants that Buyer will receive good title to the products and that the products received by initial purchaser will be free from defects in materials and workmanship consistent with trade practice quality control for a period of one (1) year from date of shipment, provided:
 - The product has been installed and used within defined specifications.
 - No repair or alteration has occurred other than by Seller's personnel.
 - No misapplication or negligent use has transpired in the judgement of Seller's personnel.
- THERE ARE NO OTHER WARRANTIES THAT EXTEND BEYOND THE WARRANTY HEREIN CONTAINED and no statement, oral or written, inconsistent with this warranty is binding on the Seller. No agent, employee, or representative of the Seller has any authority to bind the Seller to any confirmation, representation, or warranty concerning the equipment that is the subject of this document beyond that specifically included in the written quotation. Extension of, or amendment to, this warranty can be made only in writing by a duly authorized officer of the Seller.
- This warranty is made IN LIEU OF ALL OTHER WARRANTIES, EXPRESSED OR IMPLIED, including any warranty of MERCHANTABILITY or FITNESS FOR A PARTICULAR PURPOSE.

- Seller's remedy for breach of any warranty shall be limited as defined below.
 - Seller agrees to repair or replace, without cost, any part of the product manufactured by the Seller that, for the warranty period as specified above, may prove, upon Seller's inspection, to be defective in material or workmanship and not commercially acceptable.
 - Seller shall have the option to inspect any parts claimed to be defective either at Seller's place of business or Buyer's place of manufacture. No return shall be accepted unless Seller has had an opportunity to inspect the product or has expressly authorized the return.
 - Under no circumstances shall Seller be liable for consequential or incidental damages resulting from any breach of warranty even though Seller may have been advised of the possibility of such damages, nor will Seller's liability for breach of any warranty exceed the purchase price of the product less the value of the equipment at time of acceptance.
 - Any claim for breach of Seller's warranty herein contained must be made in writing, addressed to the Seller, and set forth in sufficient detail to permit identification of the defect. Any claim for breach of warranty must be made within twelve (12) months after breach of warranty. If not made within said twelve (12) months period, it shall be conclusively deemed to have been waived.
 - The remedies for breach of warranty herein contained shall be exclusive.

HYDRAULIC TAP-IN KIT SPECIFICATIONS

Single Tipper Tap-In Kit P/N	26-11-3563
Dual Tipper Tap-In Kit P/N	26-11-3558
Finish	Owner to Paint
Hydraulic Flow Rate Required	2.5 GPM
Recommended Pressure Setting	1,300 psi Minimum
Rated Maximum System Pressure	3,000 psi
Design and Manufacture Location	USA
Warranty	1 year limited warranty

Note: Product specifications subject to change without notice.

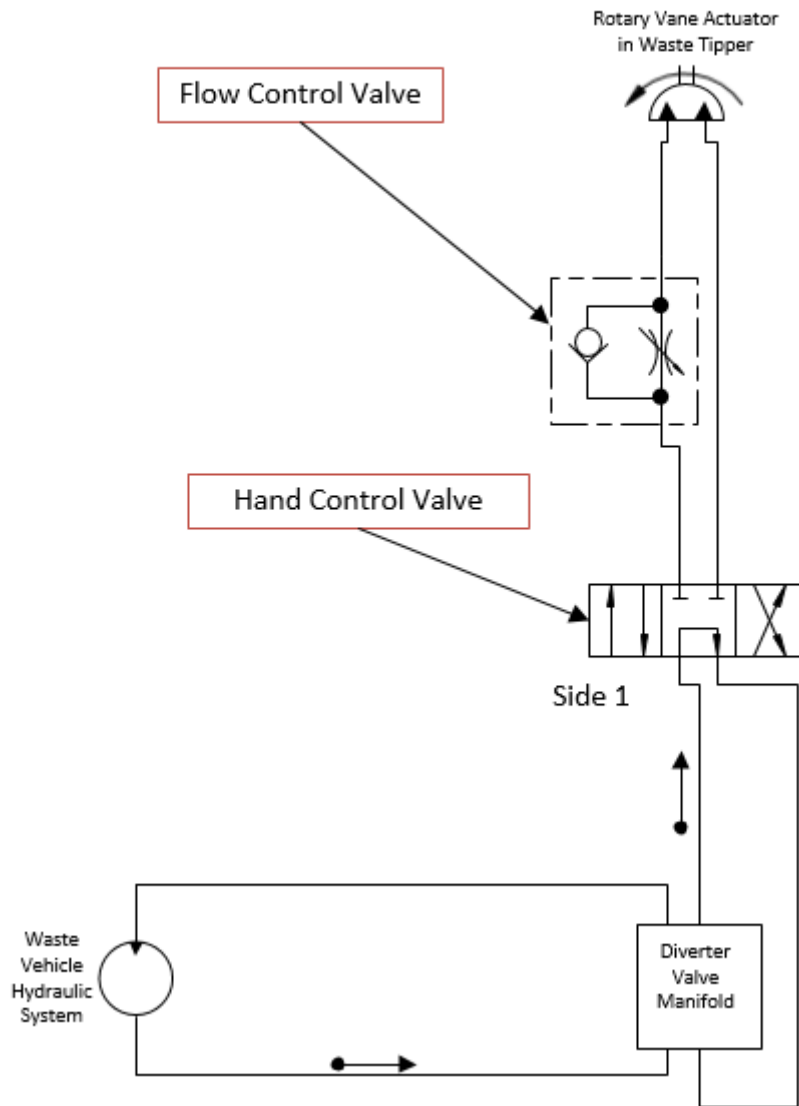
- Reference user manual 26-18-1000 for information on the Rotac Waste Tipper.

BILLS OF MATERIAL

	26-11-3563 Single Tipper Tap-in Kit	26-11-3558 Dual Tipper Tap-in Kit
Diverter Valve Manifold P/N	26-11-3564	26-11-3560
26-11-3561 Hand Control Valve	1	2
26-11-3562 Flow Control Valve	1	2

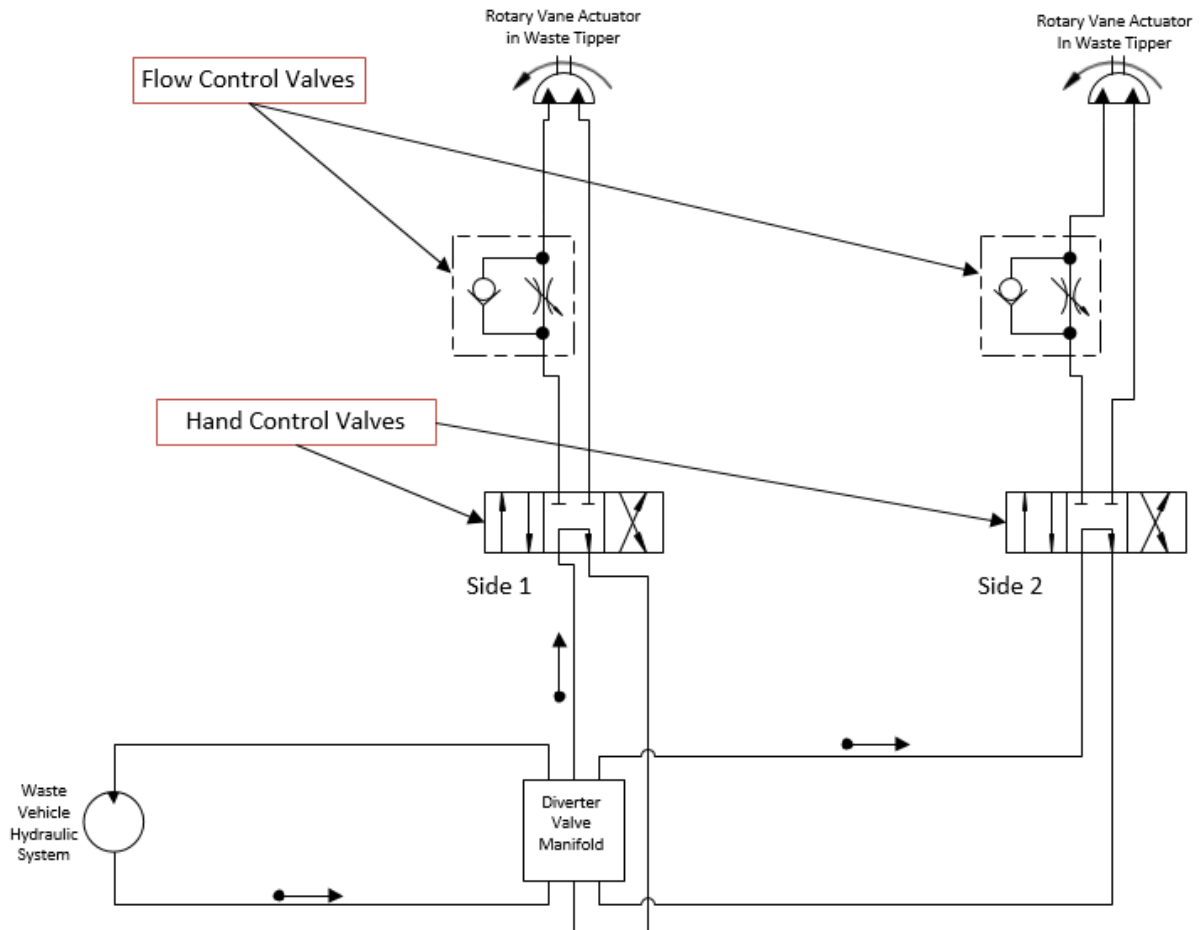
26-11-3563 SINGLE TIPPER HYDRAULIC TAP-IN KIT SCHEMATIC

Hydraulic Schematic for 26-11-3563
Single Tipper Setup



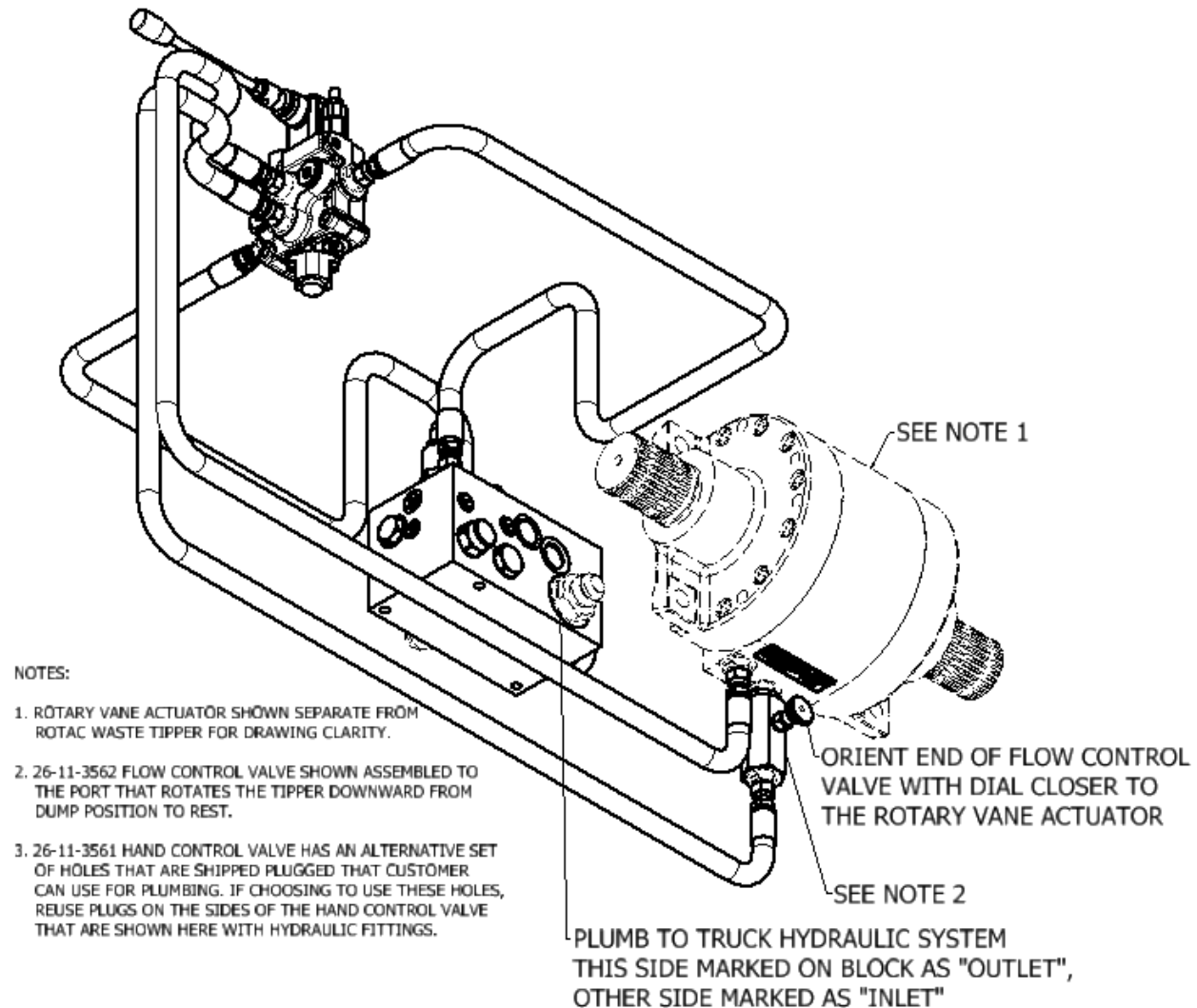
26-11-3558 DUAL TIPPER HYDRAULIC TAP-IN KIT SCHEMATIC

Hydraulic Schematic for 26-11-3558
Dual Tipper Setup



HOSES AND FITTINGS ASSEMBLED WITH ACTUATOR AND TAP-IN KIT

(Example: 26-11-3563 Single Tipper Tap-in Kit Setup)



- Hoses, fittings, and actuator displayed above are all not included in either the 26-11-3558 or 26-11-3563 hydraulic tap-in kits.
- The setup for the 26-11-3558 dual tipper tap-in kit is similar to above, except there are two "P" ports and two "T" ports on the diverter valve manifold to plumb to for a dual tipper setup. In the single tipper tap-in kit, one each of the "P" and "T" ports are plugged.
- For the latest information and updates on this user manual and Rotac Tippers, please go to <http://www.rotactippers.com>.